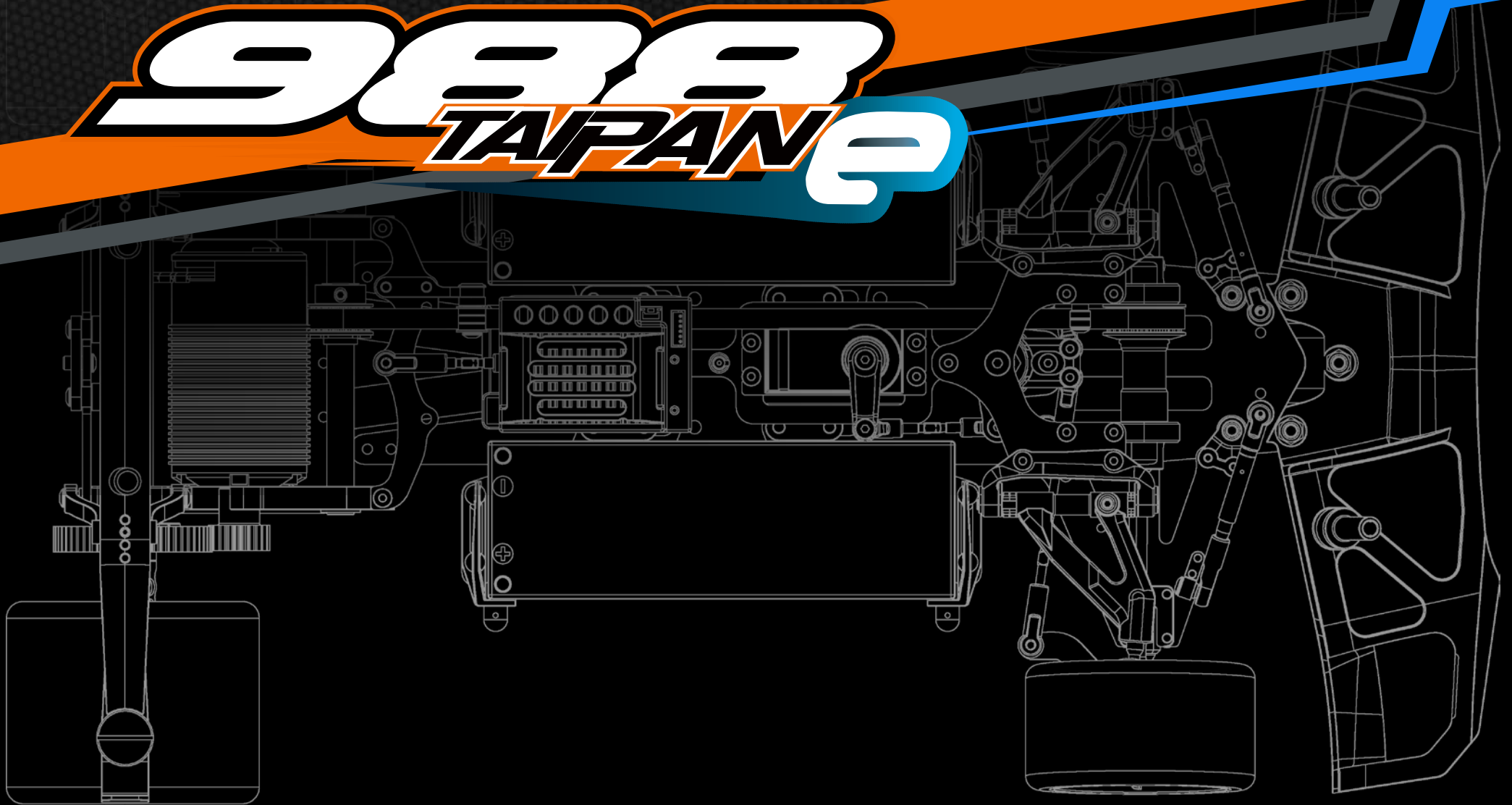


**INSTRUCTION MANUAL**

# **SERRA** **TAPANE**



**SERPENT**

## **INTRODUCTION**

Thank you very much for selecting this Serpent rc car and thus become a member of the ever growing worldwide Serpent racing family. Serpent started in 1980 and has been growing its product-line and fan-base ever since.

The Serpent Taipan 988pancar is a state of the art 1/8 scale 4wd Pancar which will give you the true Serpent racing experience. The assembly manual will guide you through all the steps to complete the car, so you can hit the track with a good base-set-up soonest. The Serpent design department succeeded to create a superbly performing car combined with eas of assembly and maintenance. The high quality standards of all parts and hardware will make racing your Serpent car a very rewarding activity !

Through our team, website and social media we will keep you up-to-date on all developments of the Serpent cars. We hope to meet you on the track and through our various media! Enjoy the drive !

Team Serpent  
Multiple World Champions

## **INSTRUCTIONS**

Serpent's long tradition of excellence extends to the instruction manuals, and this instruction manual is no exception. The easy-to-follow layout is richly illustrated with 3D-rendered full-color images to make your building experience quick and easy. Following the instructions will result in a well-built, high-performance race-car that will soon be able to unleash its full potential at the racetrack. The kit includes bags, with bagnumbers, which refer to the same step in the manual. Open only the indicated bag(s) per step and finish that part of the assembly. Remaining parts will be needed lateron in the assembly process.

## **PLASTIC PARTS**

The Serpent moulded parts are very durable and hard. When assembling longer screws in new composite parts, make sure to use new hex bits in your (power) tools. Pre-threading also helps to avoid screw damage.

## **SETUP**

In certain assembly steps you need to make basic adjustments, which will give you a good initial setup for your Serpent Taipan 988pancar . Fine-tuning the initial setup is an essential part of building a high-performance racecar like your Serpent Cobra 988pancar .

## **EXPLODED VIEWS AND PARTS LIST**

The exploded views and parts lists for the Serpent Taipan 988pancar are presented in the Reference Guide section in the back of this manual. The exploded views show all the parts of a particular assembly step along with the Serpent part number and hotlink to the Serpent website. Partnumbers in orange indicates that this part is an optional. Optionals part names and numbers are showed below.

## **CUSTOMER SERVICE**

Serpent has made a strong effort to make this manual as complete and clear as possible. Additional info may be published in our website: [www.serpent.com](http://www.serpent.com) or you may ask your dealer or the Serpent distributor for advice, or email Serpent direct: [info@serpent.com](mailto:info@serpent.com). The Serpent Facebook, Twitter and Youtube pages give additional means of support and communications.

## **SAFETY**

Read and take note of the 'Read this First section' before proceeding to assemble the car-kit. This car-kit is intended for persons aged 16 or older.

## **READ THIS FIRST!**

- This is a highly technical hobby product, intended to be used in a safe racing environment. This car is capable of speeds in excess of 80 km/h or 50mph. Please follow these guidelines when building and operating this model.
- Parental guidance is required when the builder/user of this car is under 16.
- Follow the building instructions. If in doubt, contact your dealer or importer.
- Be sure to use the proper tools when assembling the car. Always exercise caution when using electric tools, knives and other sharp objects.
- Be careful when using liquids like lubrication oil, fuel or glue. Do not swallow.
- Follow the manufacturer's instruction in case you experience irritation after using the product.
- Be careful when operating the car. Stay away from any rotating parts such as wheels, gears and transmission. Stay away from motor, engine and exhaust pipe system or speedo during and immediately after use, as these parts may be very hot. We advise to use protective hand cloves.
- Only operate this car in a safe environment, like a special racing track or a closed parking lot. Avoid using this car on public roads, crowded places or near infants.
- Before operating this car, always check the mechanical status of the car. Also check that the transmitter and receiver frequencies correspond and are not used by any other racer at the same time. Check that the batteries of the transmitter and receiver- are fully charged.
- After use, always check all the mechanics of the car. We advise to clean the car immediately after use, and inspect the parts for wear or fractures. Replace when necessary. Do not use water, methanol, thinner or other solvents to clean the car.
- Empty the fuel tank (depending on model) if needed and disconnect the receiver battery.
- Store the car in a dry and heated place to avoid corrosion of metal parts.
- Avoid using this car in wet conditions as the water will cause corrosion on the metal parts and bearings and these parts will cease to function properly. If driven in the wet, ensure that all the electric equipment is waterproofed and after use, that all moving parts are dried immediately.

## **CONTENTS**

## LINES DESCRIPTION

Each step contains a variety of numbers, lines, and symbols. The numbers represent the order in which the parts should be assembled. The lines are described below.



Step number; the order in which you should assemble the indicated parts



Length after assembly



Assembly path of one item into another



Group of items (within lines) should be assembled first



Direction the item should be moved



Glue one item to another



Press/insert one item into another



Connect one item to another



Gap between two items

## ICONS DESCRIPTION

Each step contains a variety of symbols described below.



Carefull, read and check very well.



Apply a small amount of cyano glue. Use wear protection for eyes and hands.



Detail view to explain assembly or order of parts better.



Default set-up: This symbol indicates the default setup.



Grease: apply a small amount of grease to the parts shown.



Left and right parts should be assembled in the same way.



Thread lock: apply a small amount on the parts shown. Before to apply the threadlock, make sure to degrease the parts very well, as otherwise the threadlock will not work.



Silicone oil: use the indicated silicone oil for the shocks and differentials.



Parts or items not included in the kit.

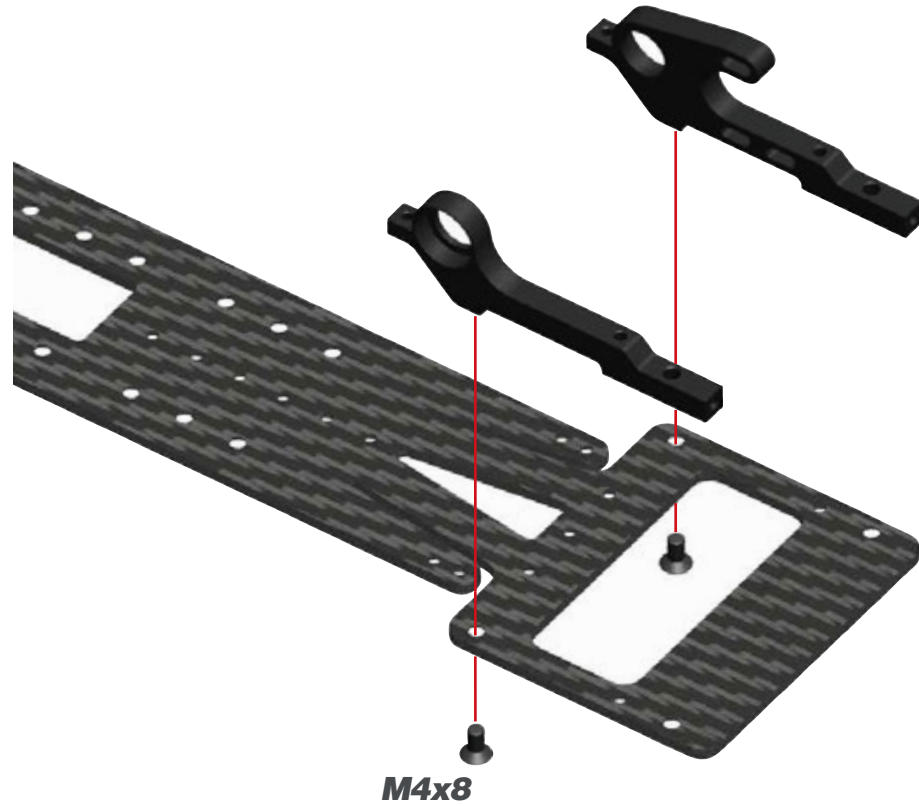


Optional part, not standard in the kit.

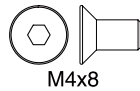
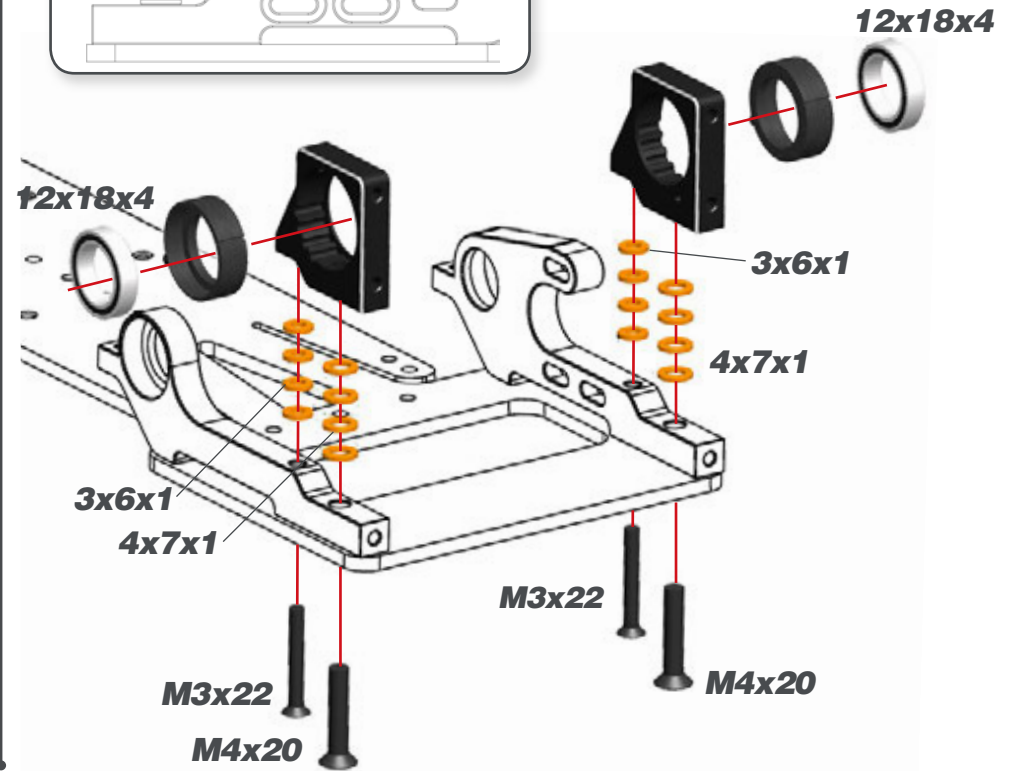
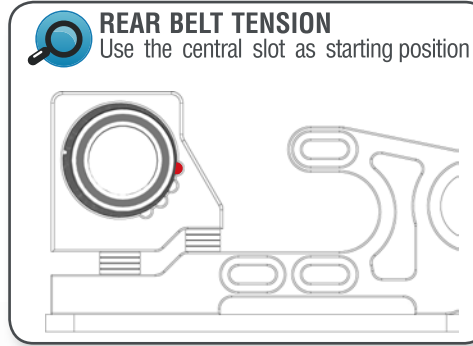


## STEP 1

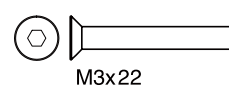
## BAG 1



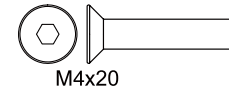
## STEP 2



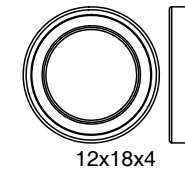
M4x8



M3x22



M4x20



12x18x4



3x6x1



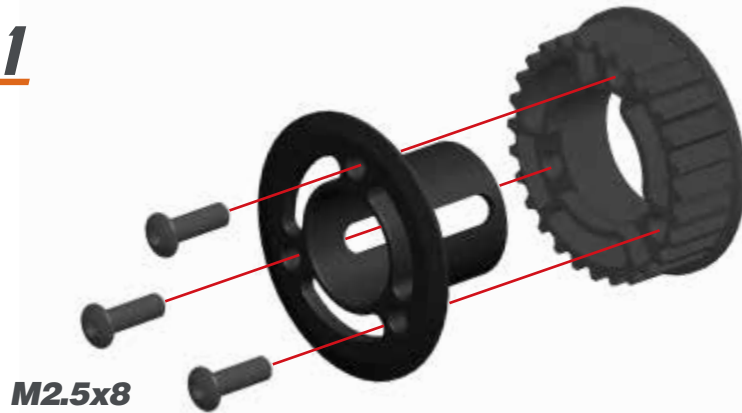
4x7x1

## STEP 3

## BAG 2

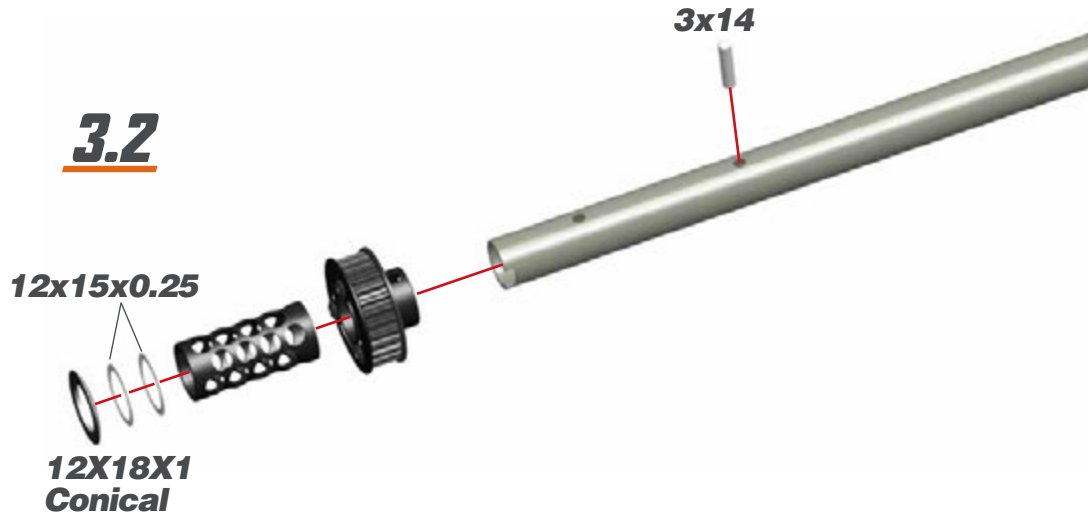
## STEP 4

### 3.1



M2.5x8

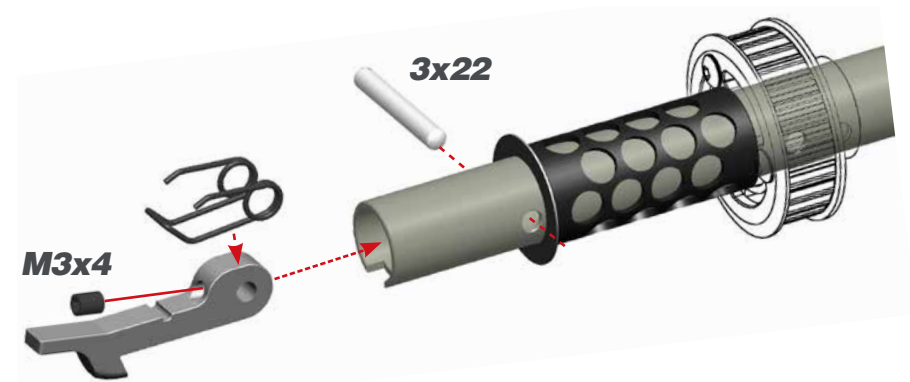
### 3.2



3x14



12x15x0.25

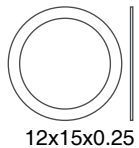

12X18X1  
Conical



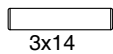
3x22

M3x4

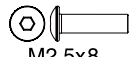
  1- Note orientation of the outside wheel axle shim.  
2- Note position of the lever spring.



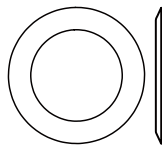
12x15x0.25



3x14



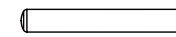
M2.5x8



12x18x1 Conical

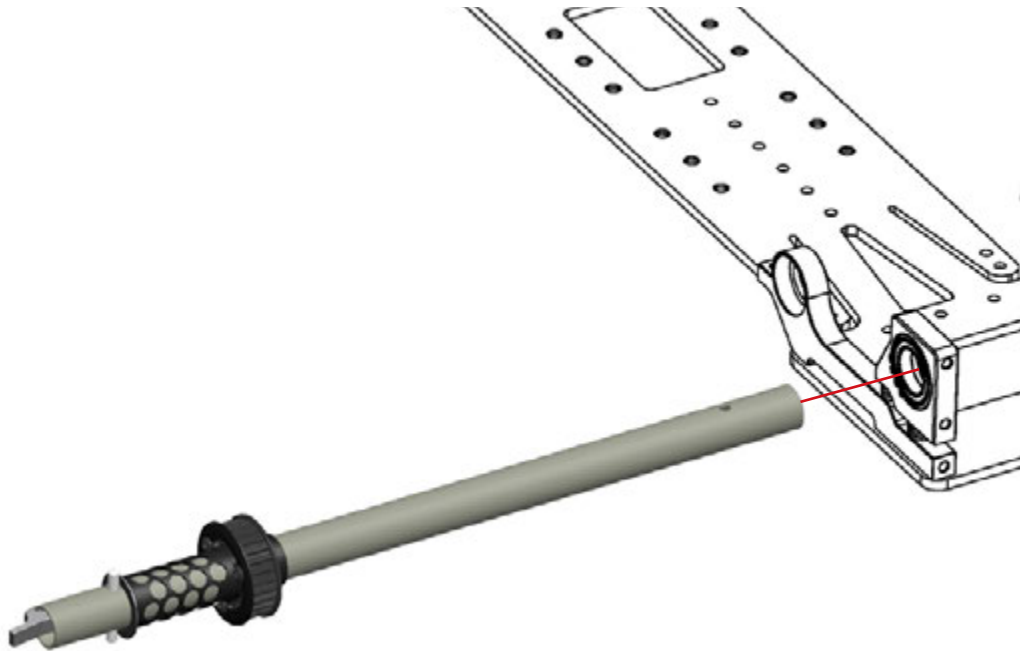


M3x4



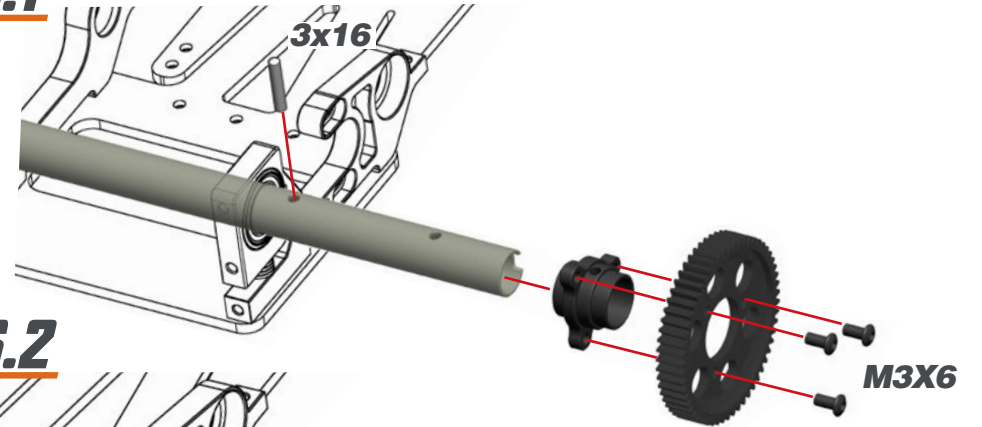
3x22

## STEP 5

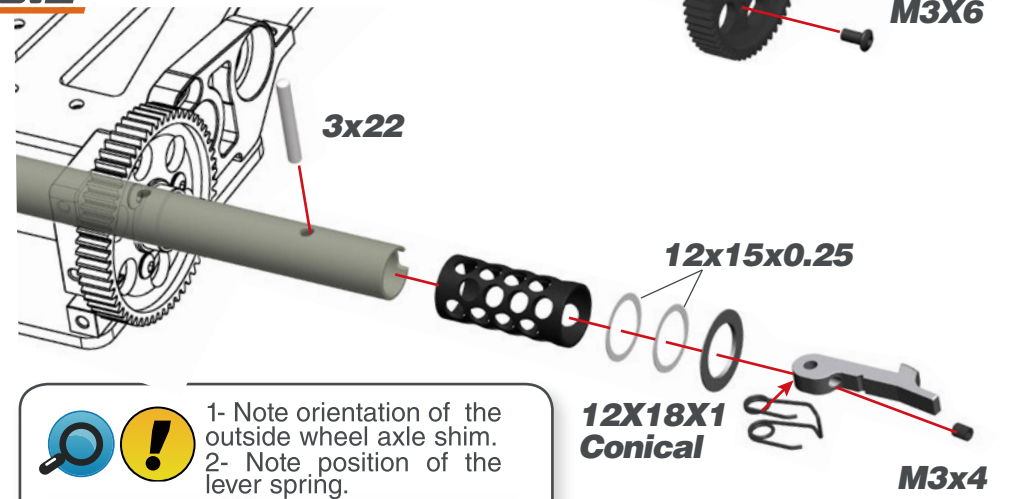




## STEP 6


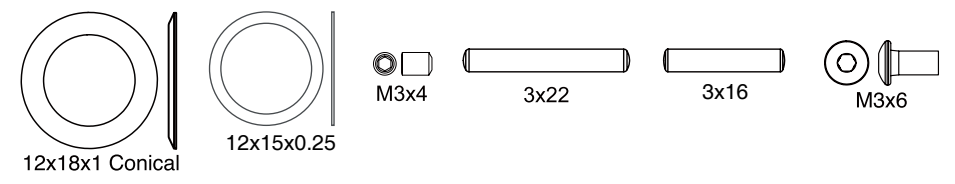
### 6.1



### 6.2

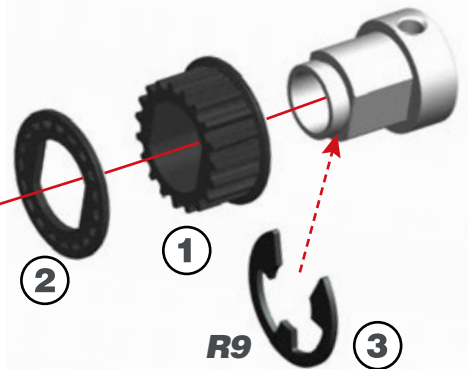




 1- Note orientation of the outside wheel axle shim.  
 2- Note position of the lever spring.

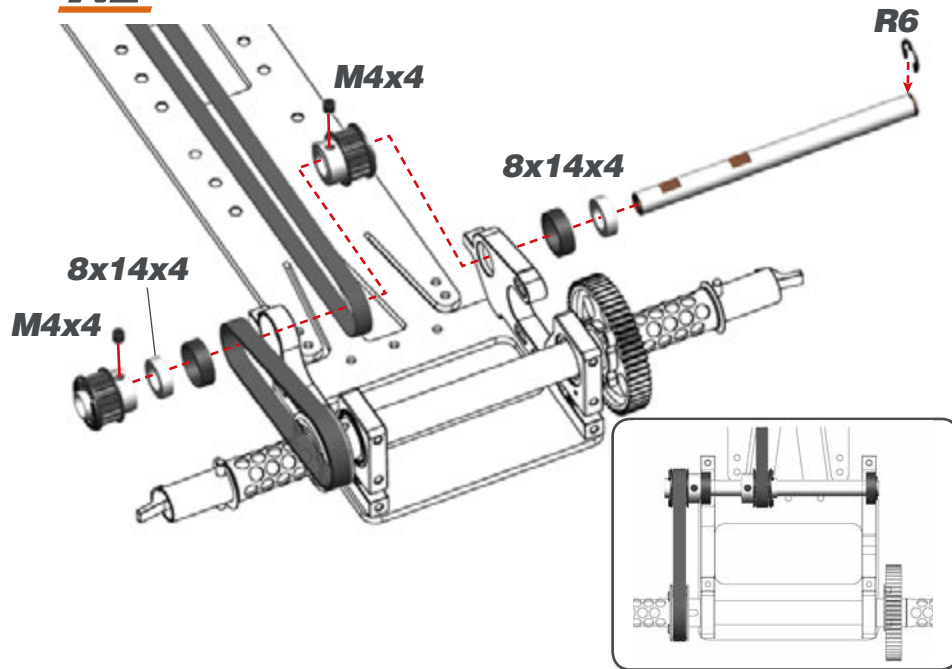



## STEP 7

### 7.1



### 7.2



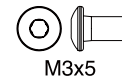
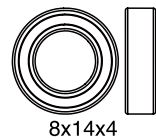
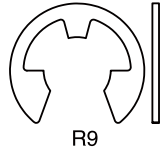
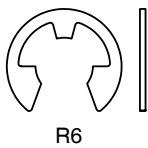
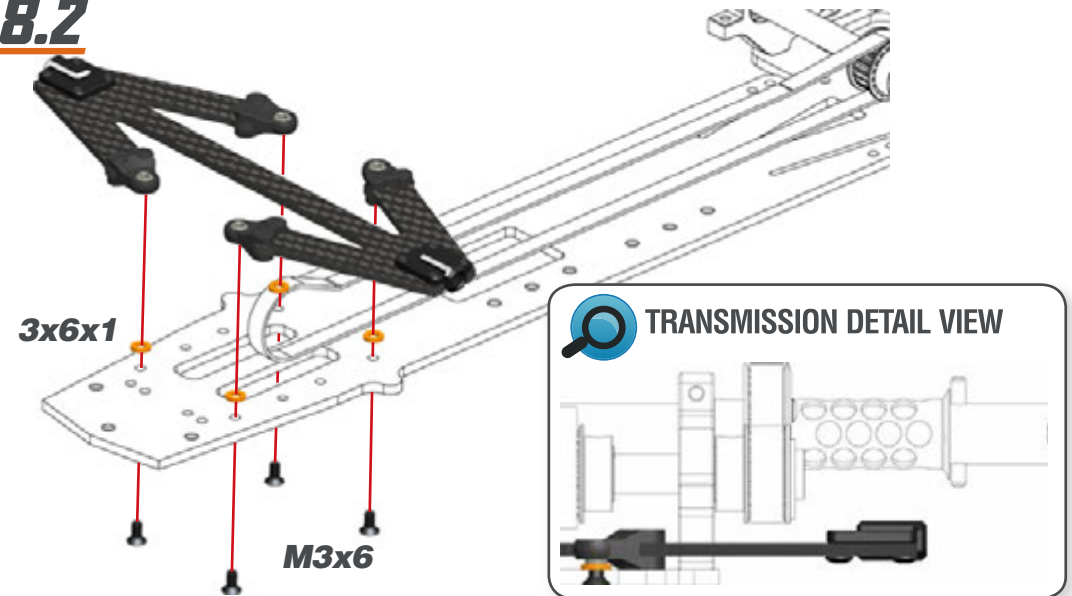
## STEP 8

BAG 3

### 8.1

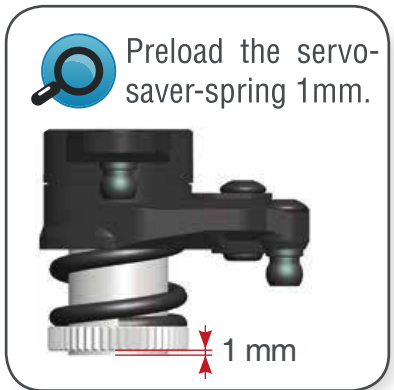


### 8.2

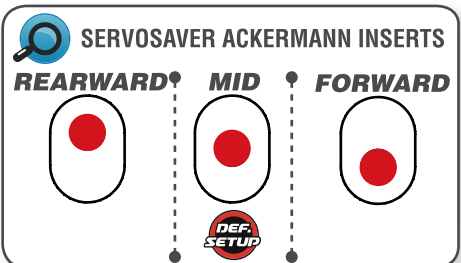
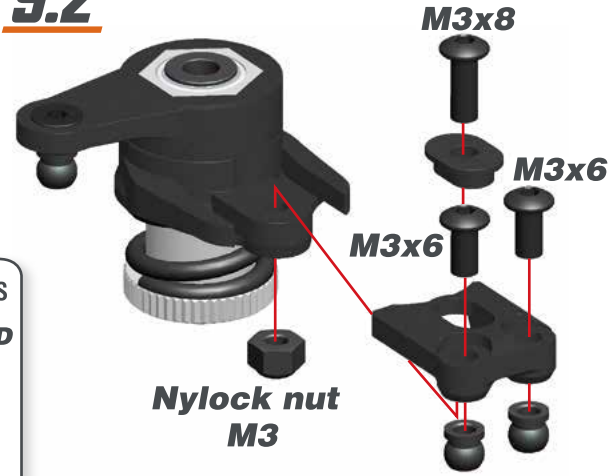


## STEP 9

**9.1**

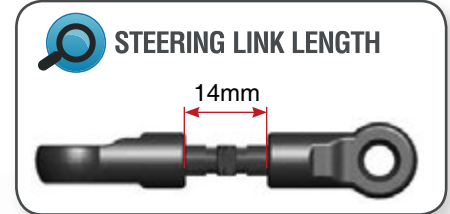


**9.2**

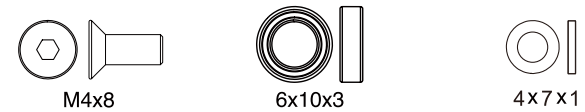
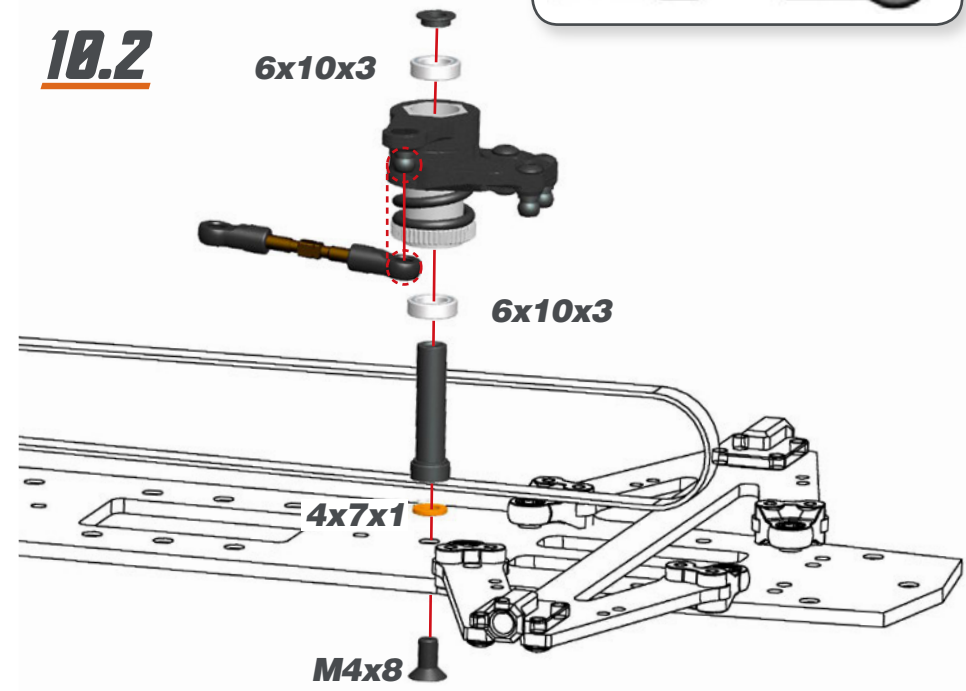


## STEP 10

**10.1**



**10.2**

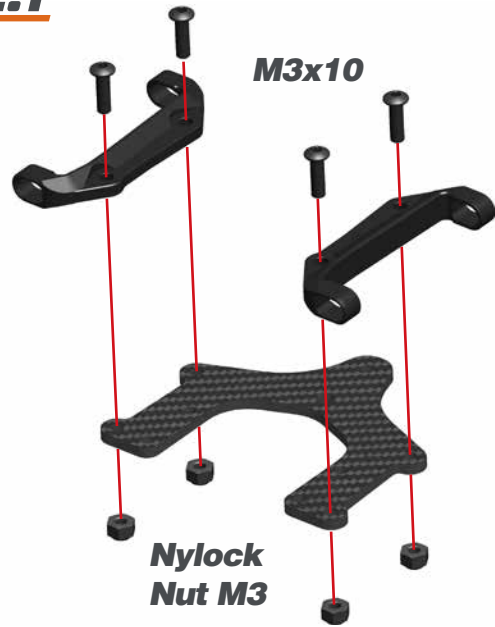




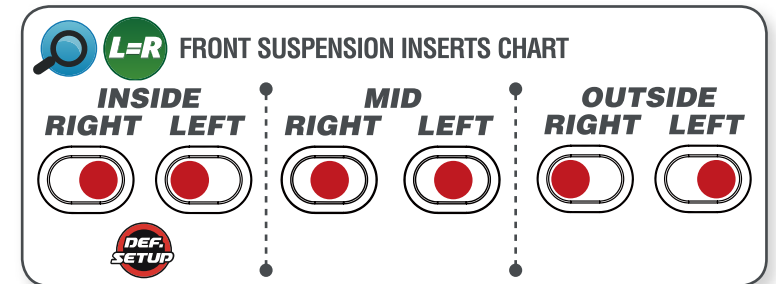
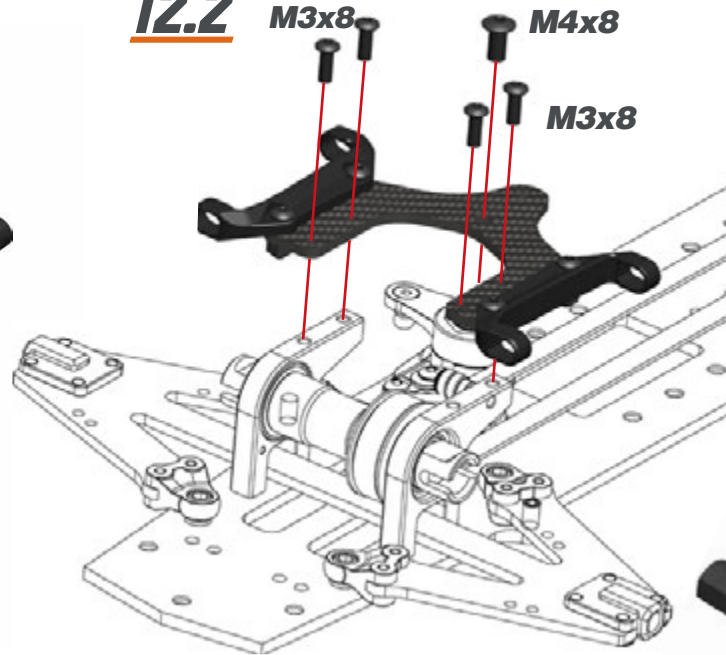


## STEP 12

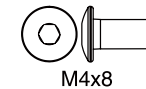
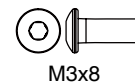
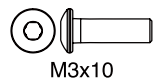
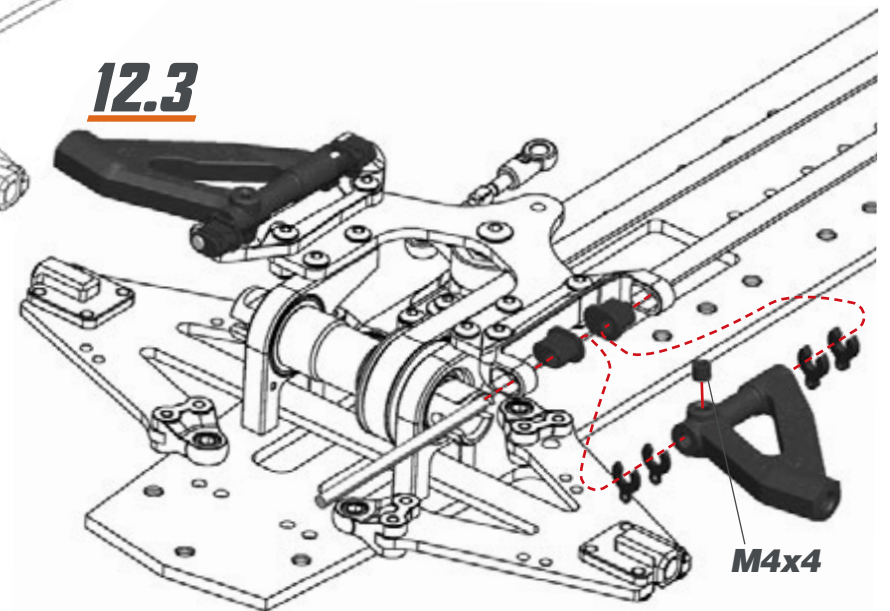
### 12.1



### 12.2

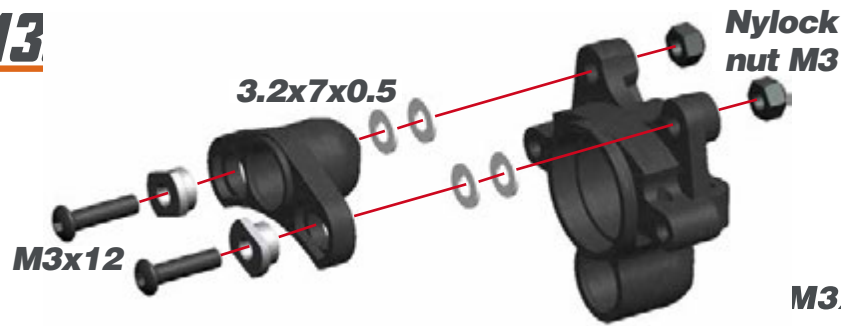


### 12.3

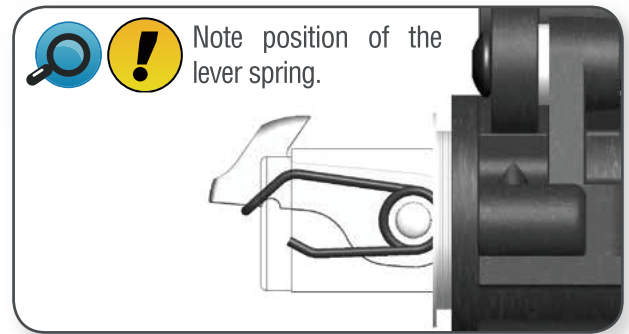
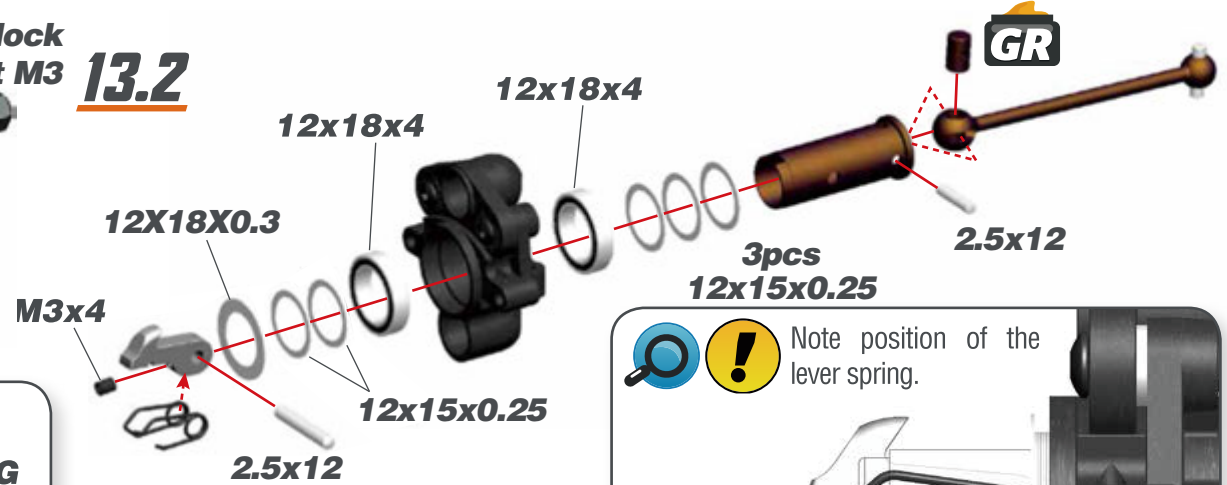


## STEP 13 BAG 5

**13**

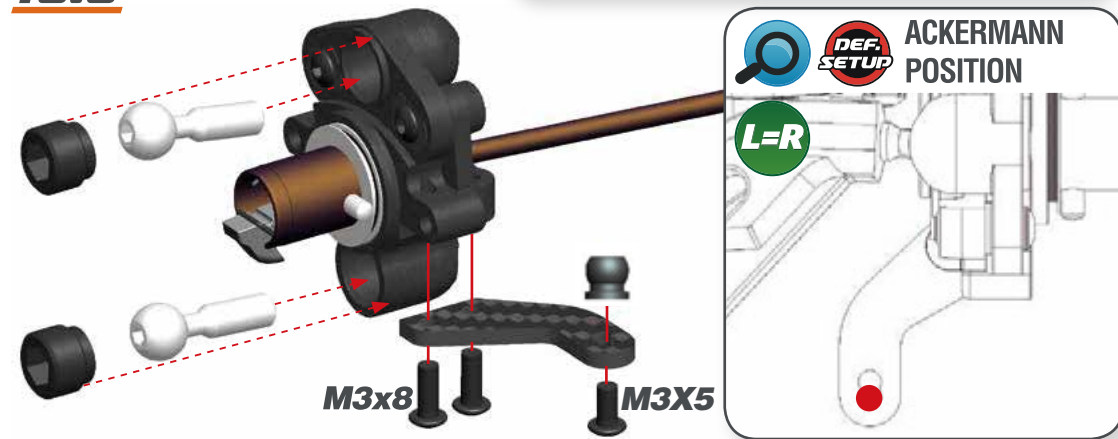


**13.2**



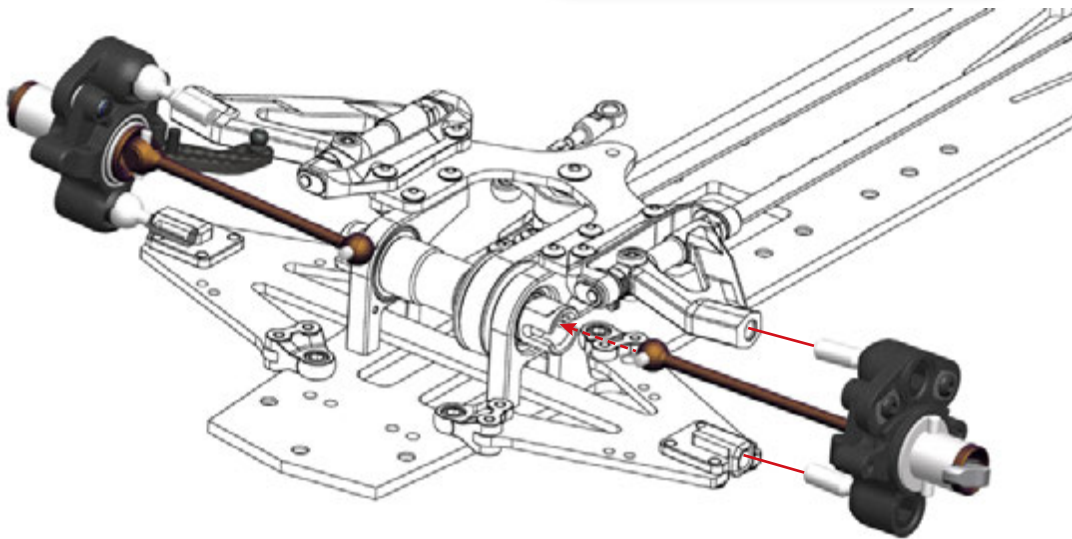
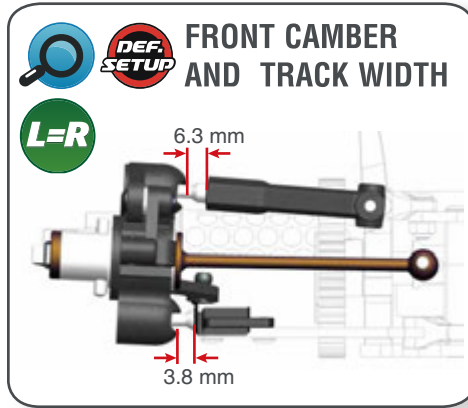
STEERING BLOCK INSERTS CHART			
	LEADING	NEUTRAL <small>DEF. SETUP</small>	TRAILING
RIGHT			
LEFT			

**13.3**



- M3x10
- Nylock Nut M3
- 3.2x7x0.5
- 12x15x0.25
- 12x18x0.3
- 12x18x4
- 3x20
- M3x4
- 2.5x12
- M3x5
- M3x8

## STEP 14

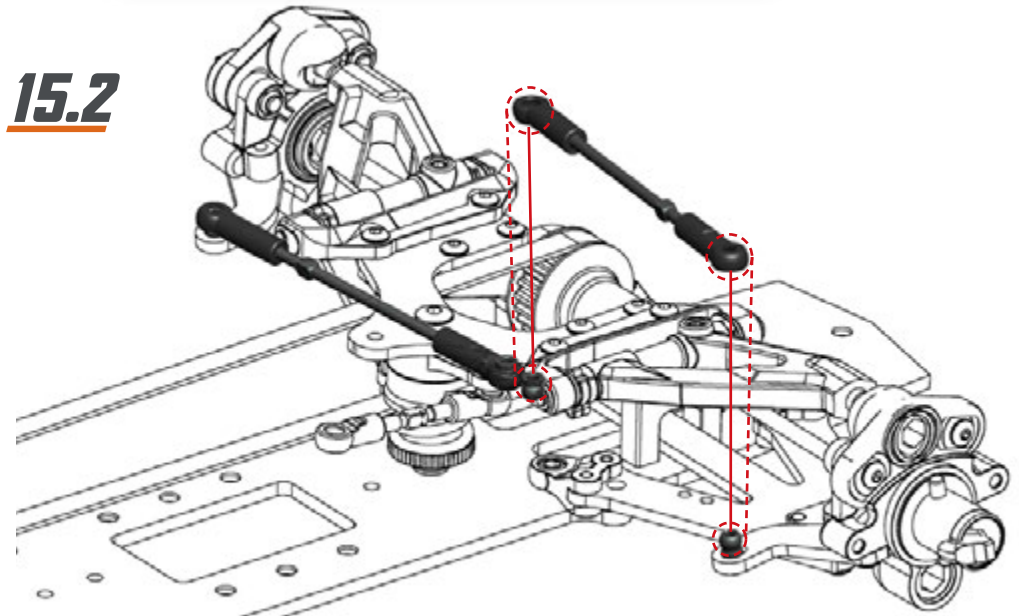


## STEP 15

### 15.1

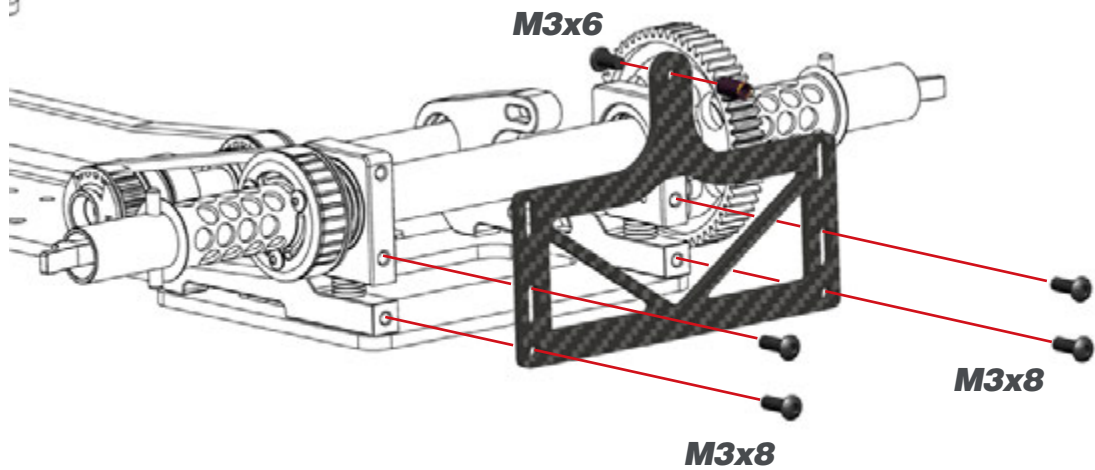


### 15.2





## STEP 16 BAG 6



M3x6

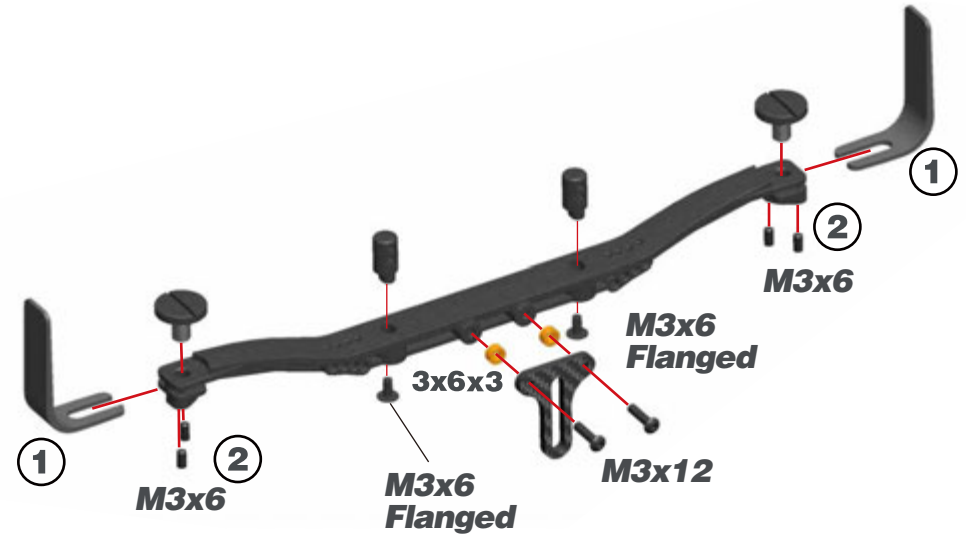
M3x8

M3x8



M3x6

## STEP 17



1

2

2

1

M3x6

M3x6 Flanged

3x6x3

M3x12

M3x6 Flanged

M3x6



M3x12



M3x6

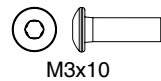
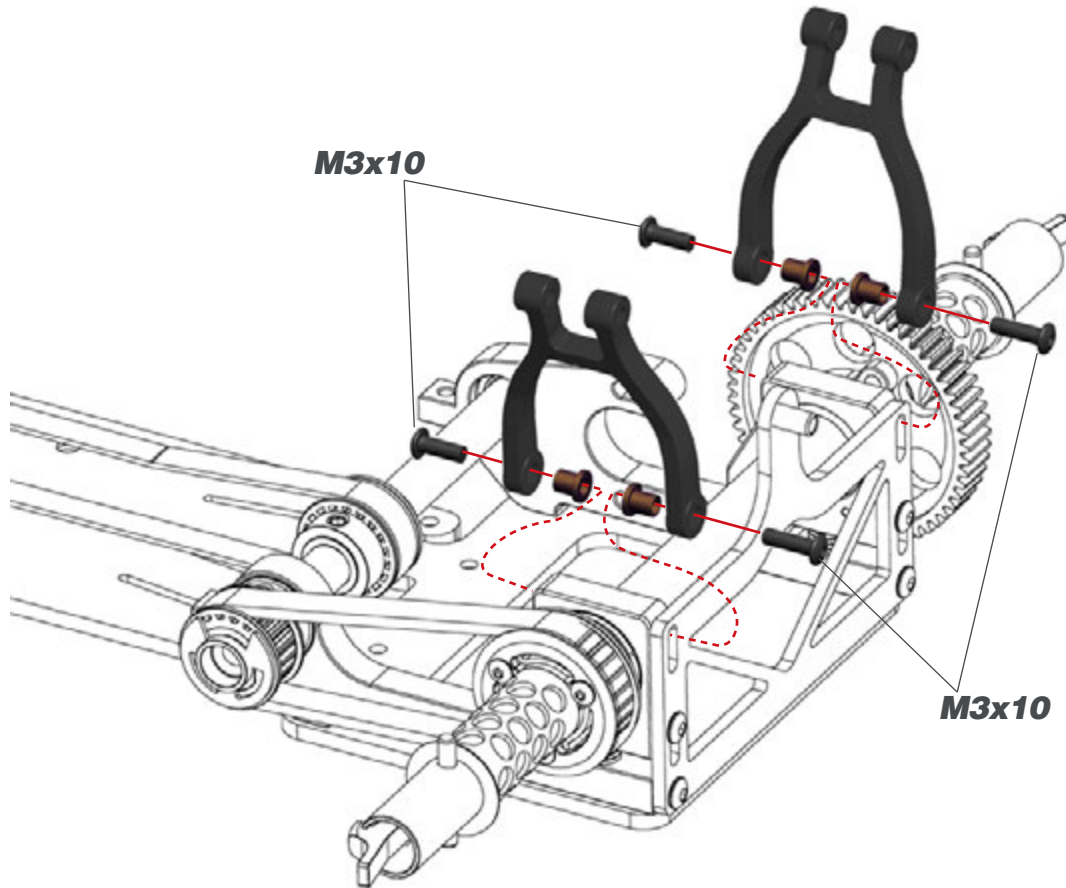


M3x6 Flanged

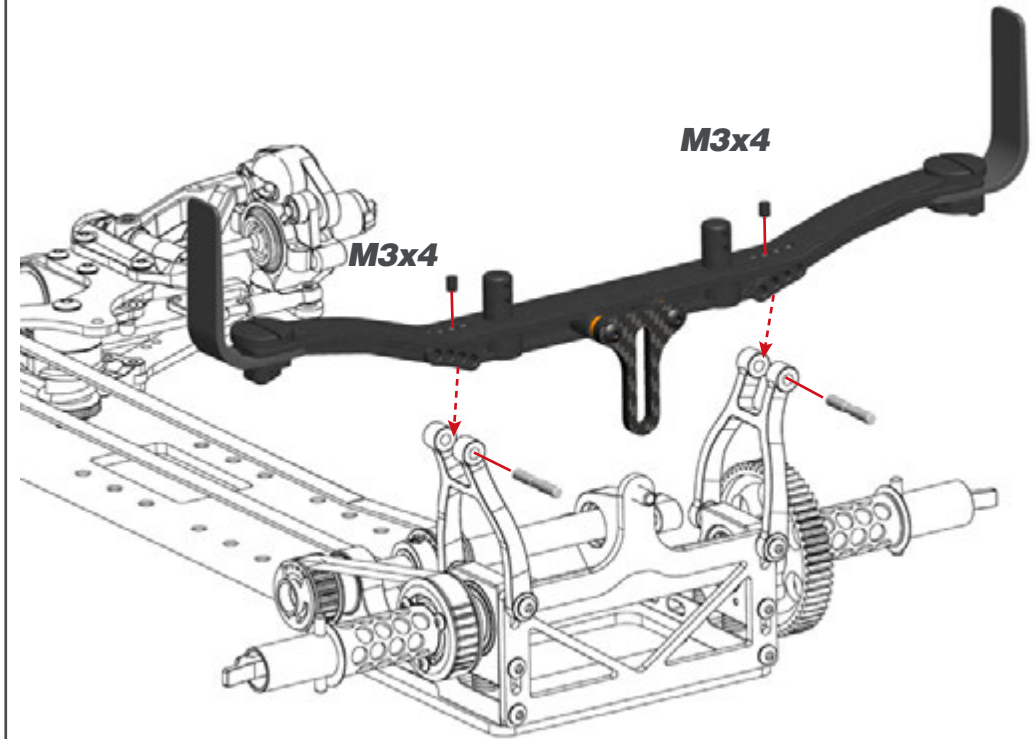


3x6x3

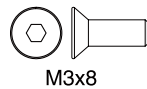
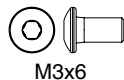
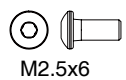
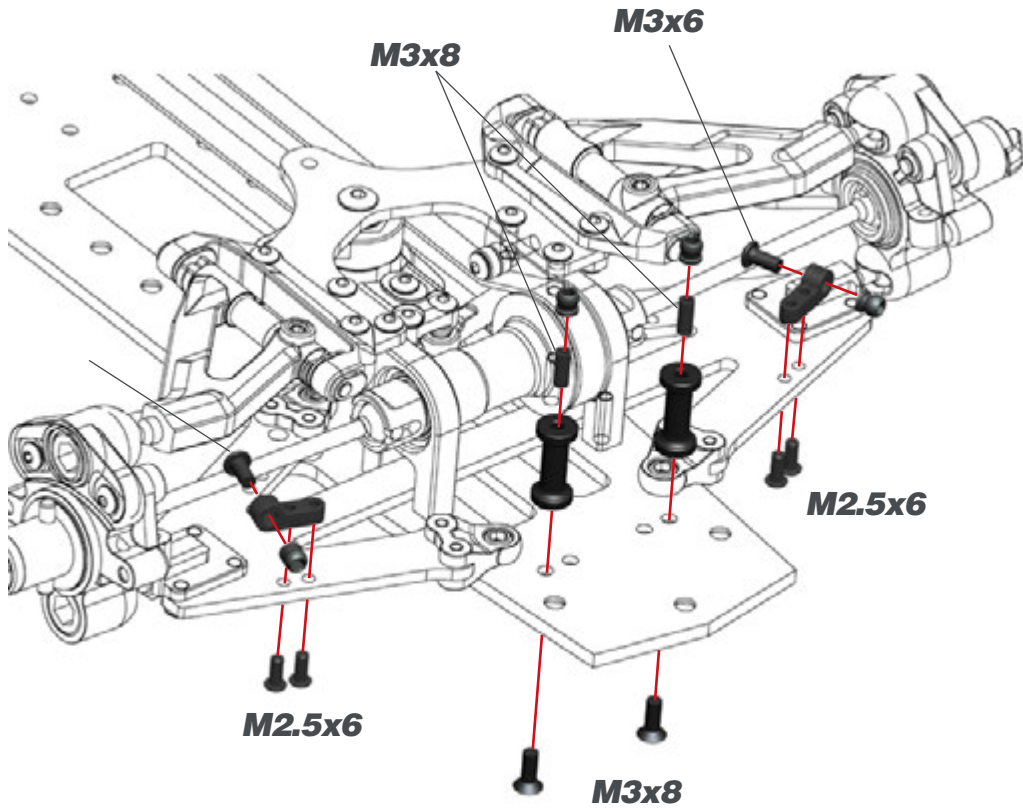
## STEP 18



## STEP 19



## STEP 20 BAG 7



## STEP 21

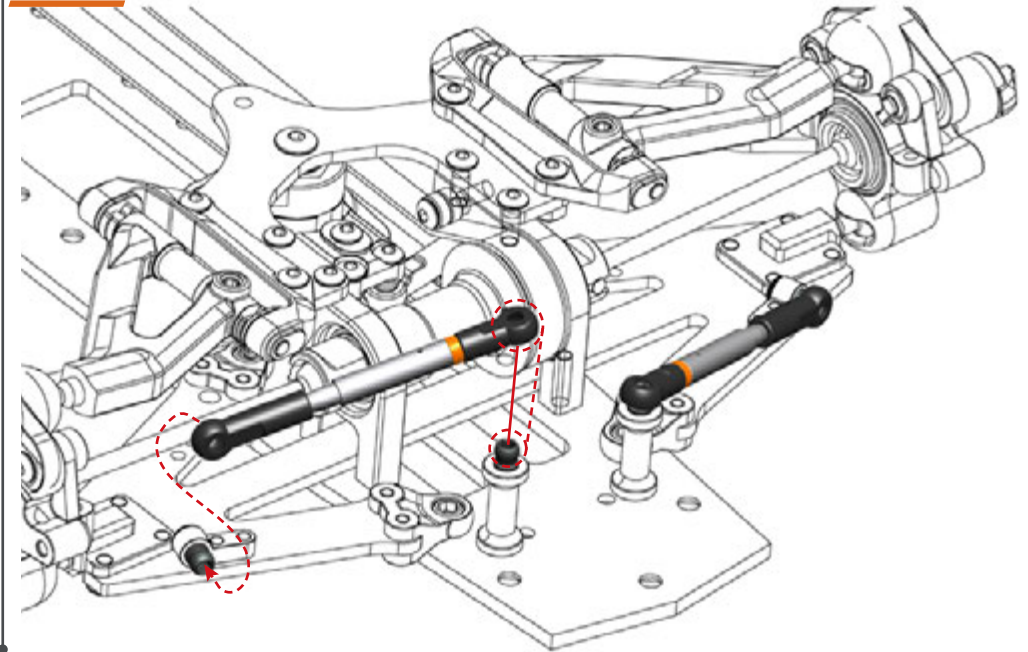
### 21.1



Apply the silicone oil on the inner tube. Use the silicone oil supplied in the kit. For the correct cst value please check the default setupsheet.



### 21.2



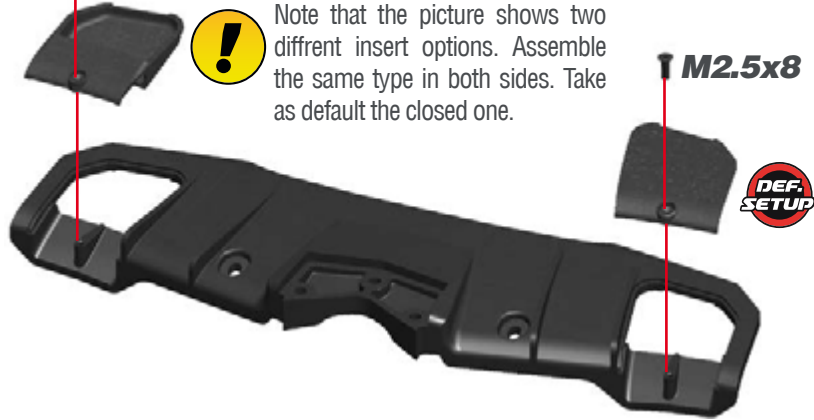
## STEP 22

### 22.1

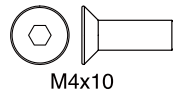
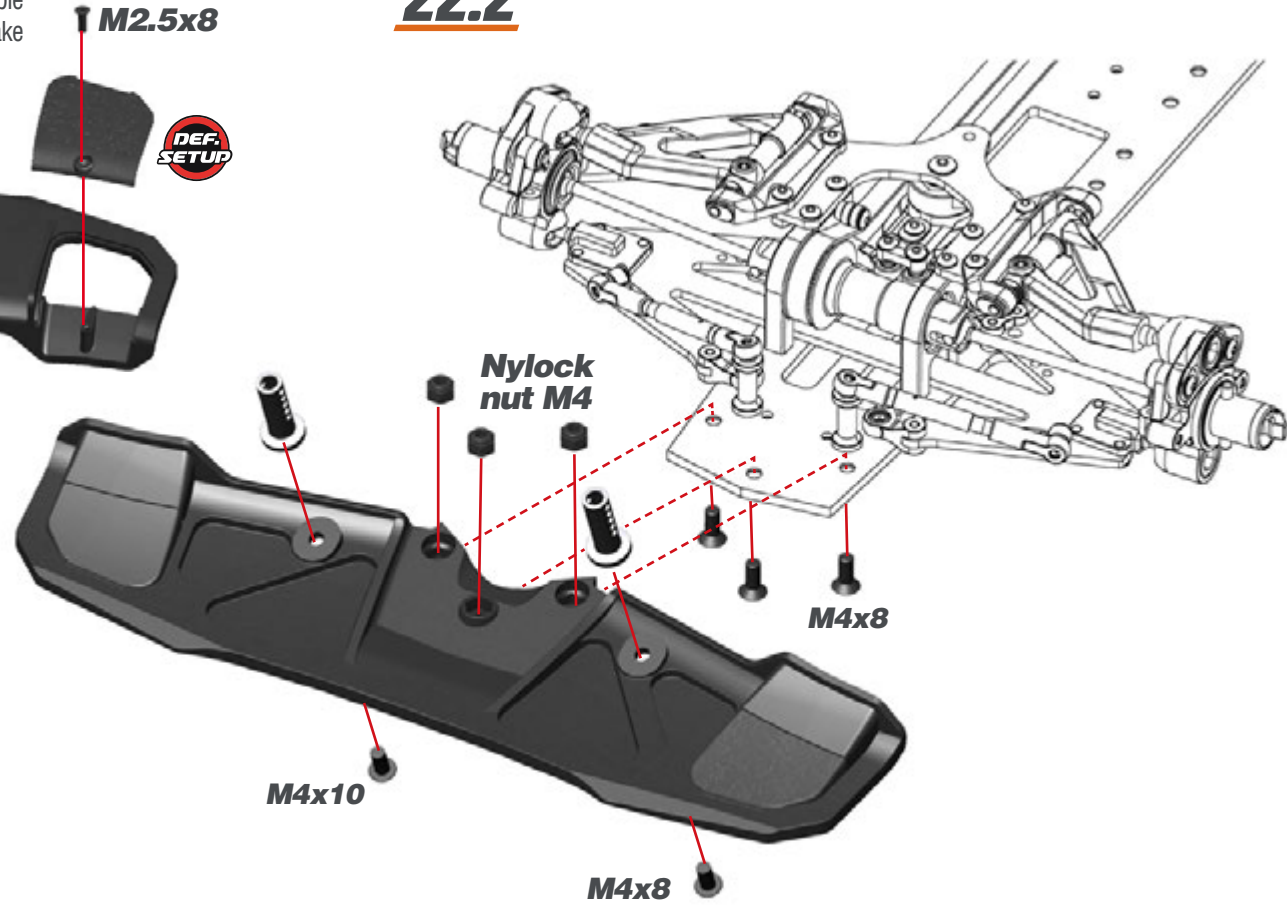
M2.5x8



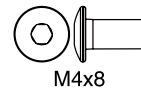
Note that the picture shows two different insert options. Assemble the same type in both sides. Take as default the closed one.



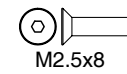
### 22.2



M4x10



M4x8



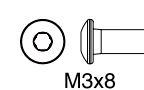
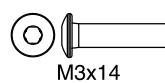
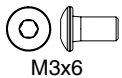
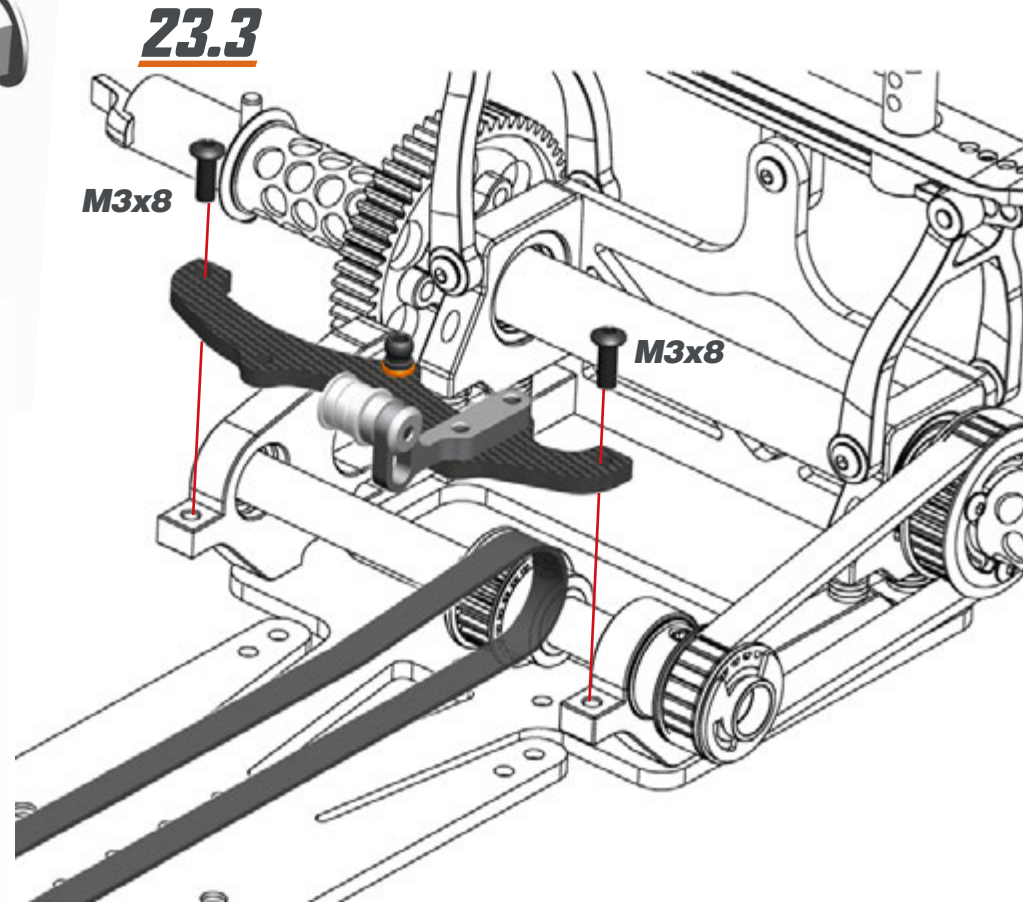
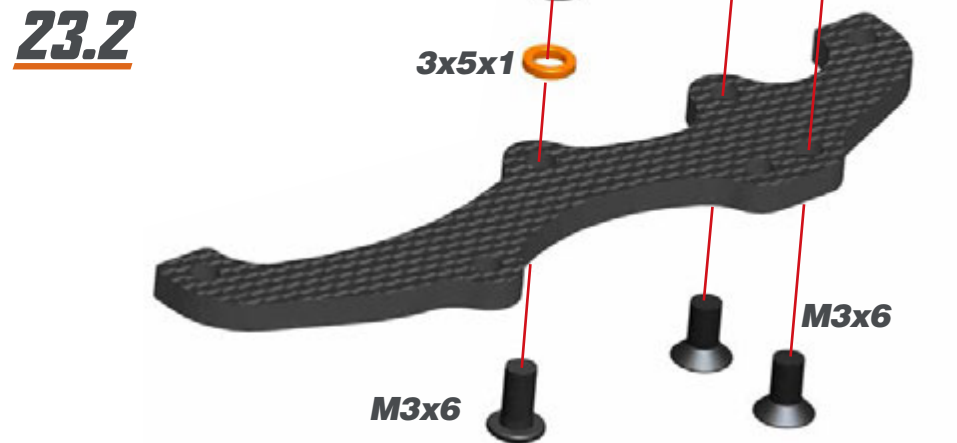
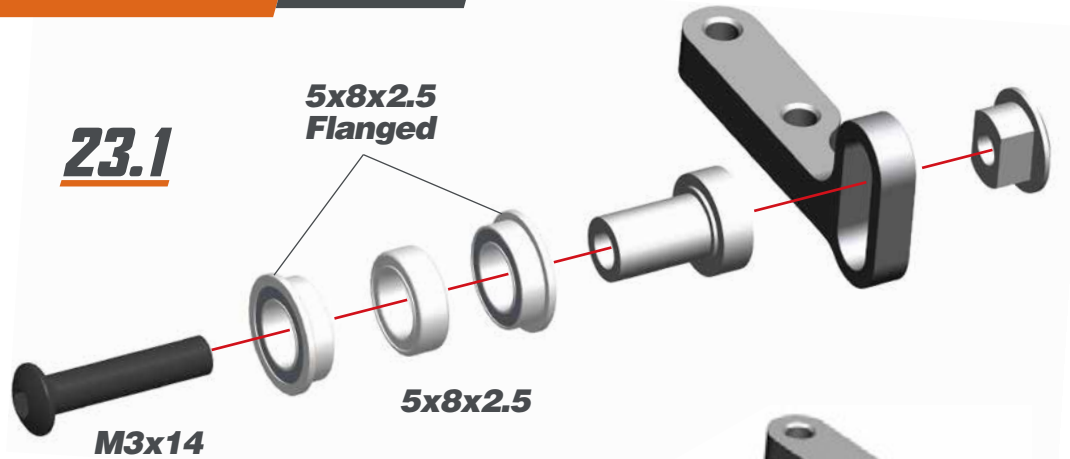
M2.5x8



Nylock nut M4



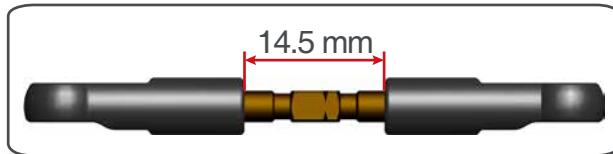
## STEP 23 BAG 8



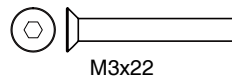
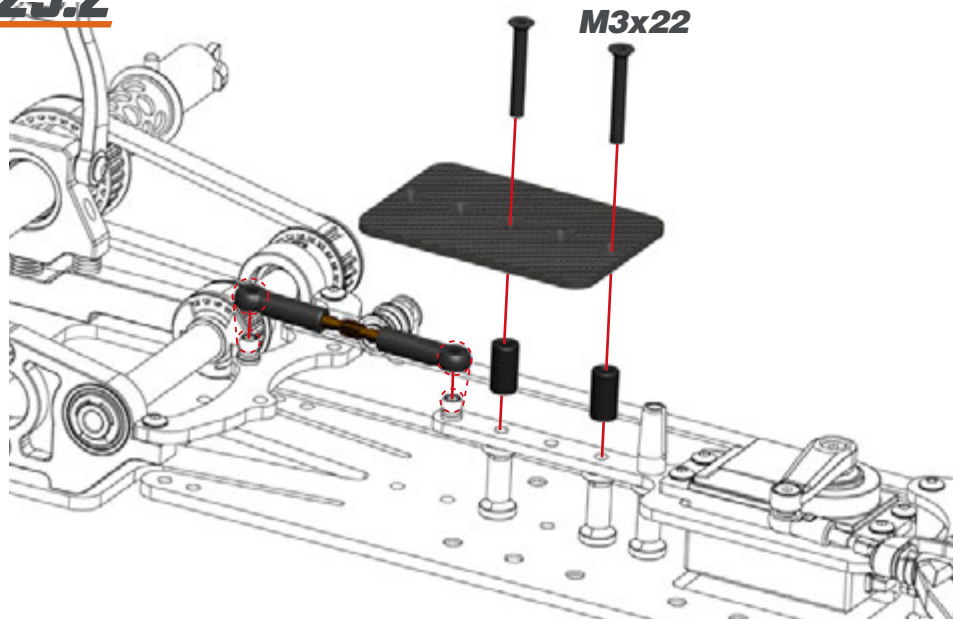


## STEP 25

### 25.1

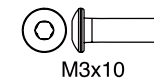
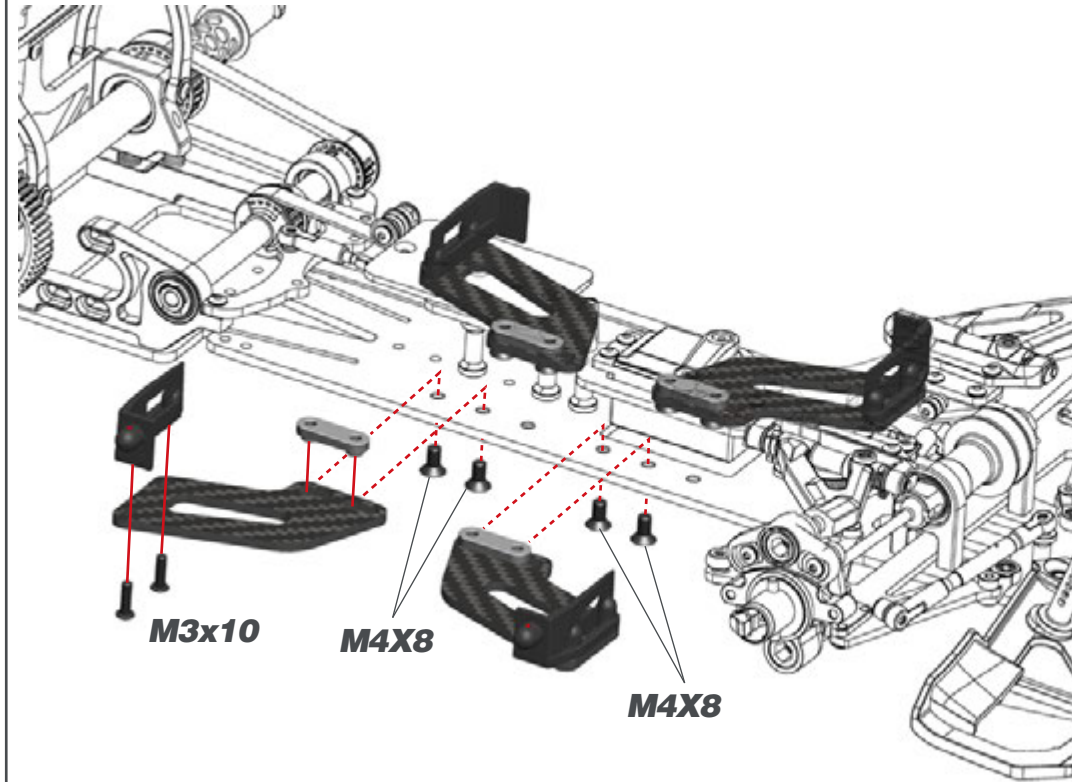


### 25.2

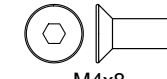


M3x22

## STEP 26 BAG 10



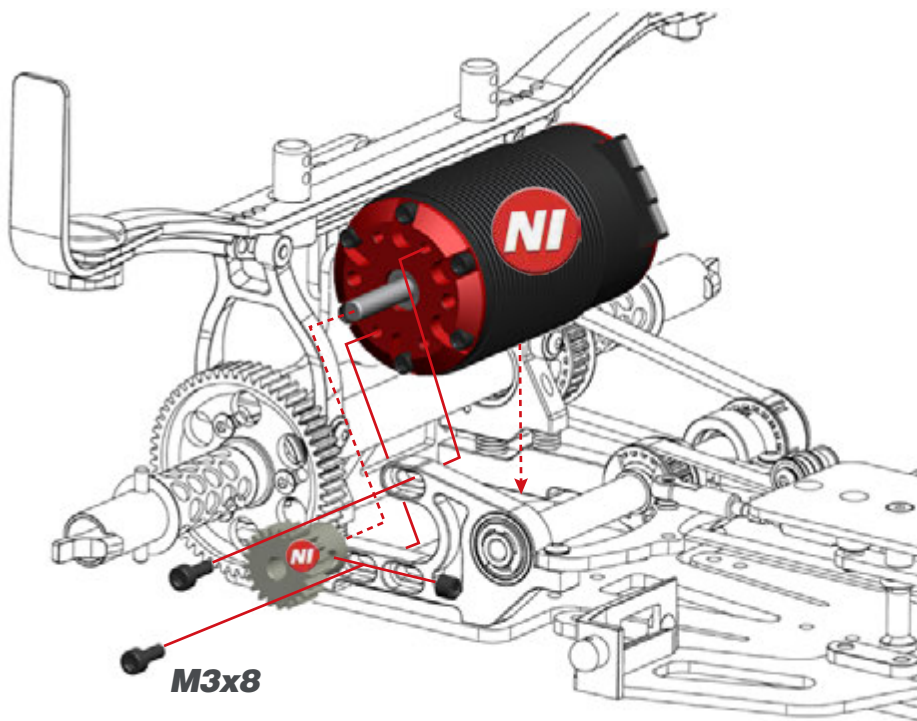
M3x10



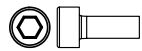
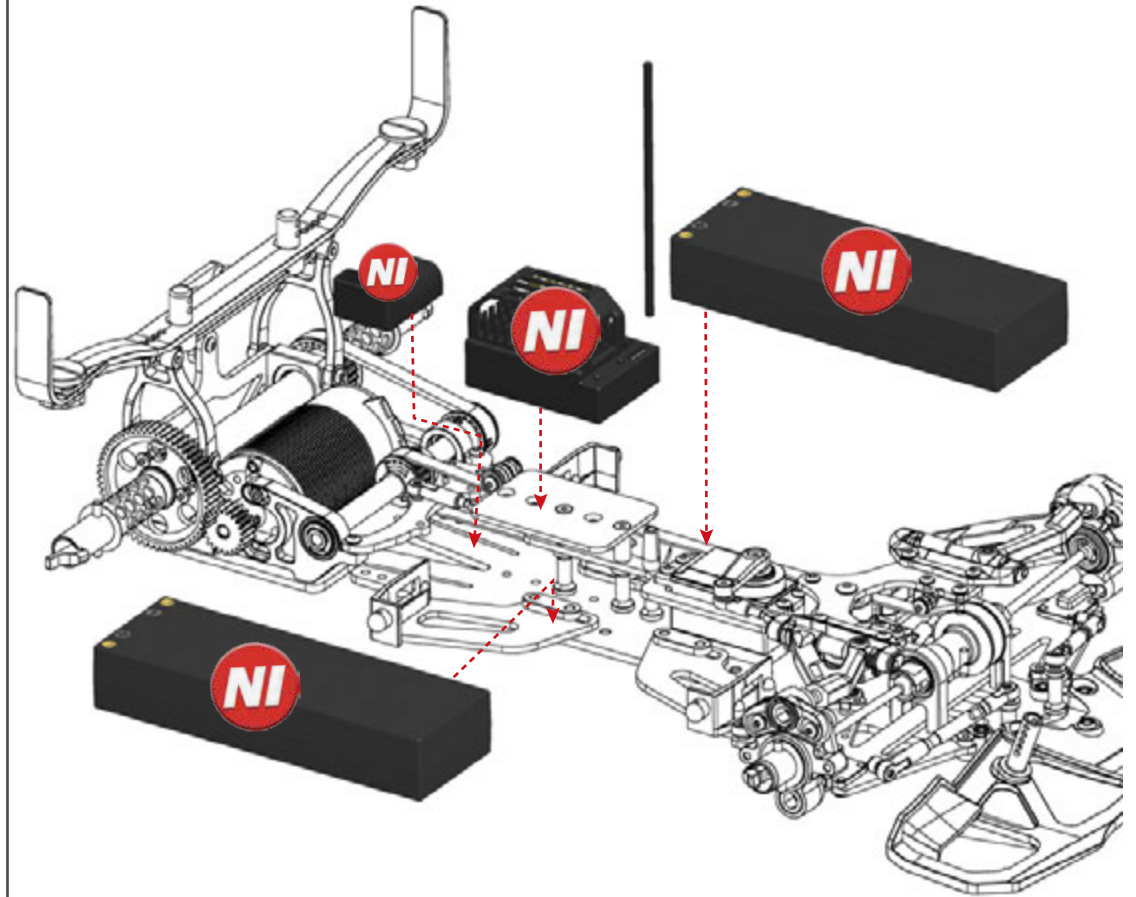
M4x8



## STEP 27



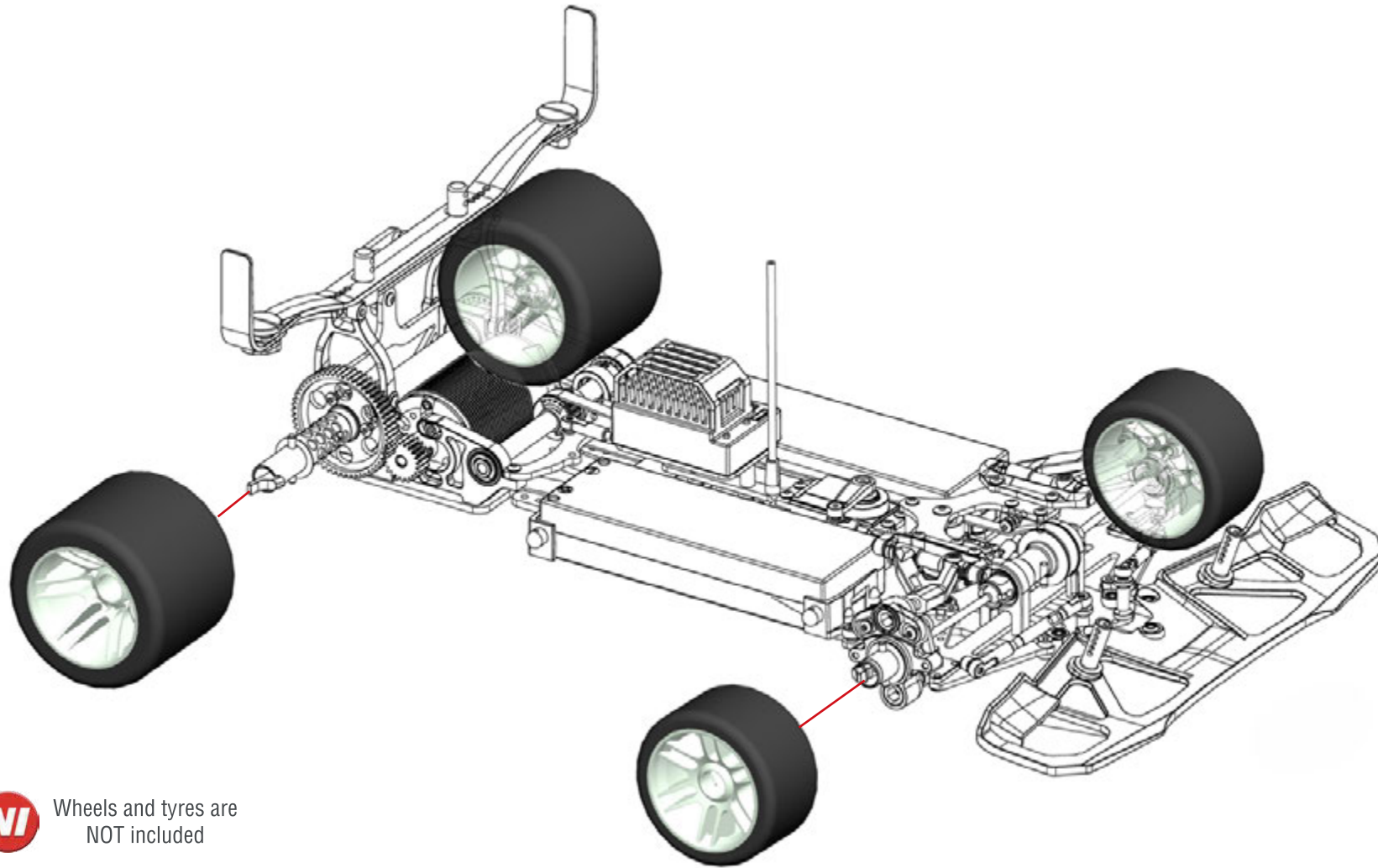
## STEP 28



M3x8

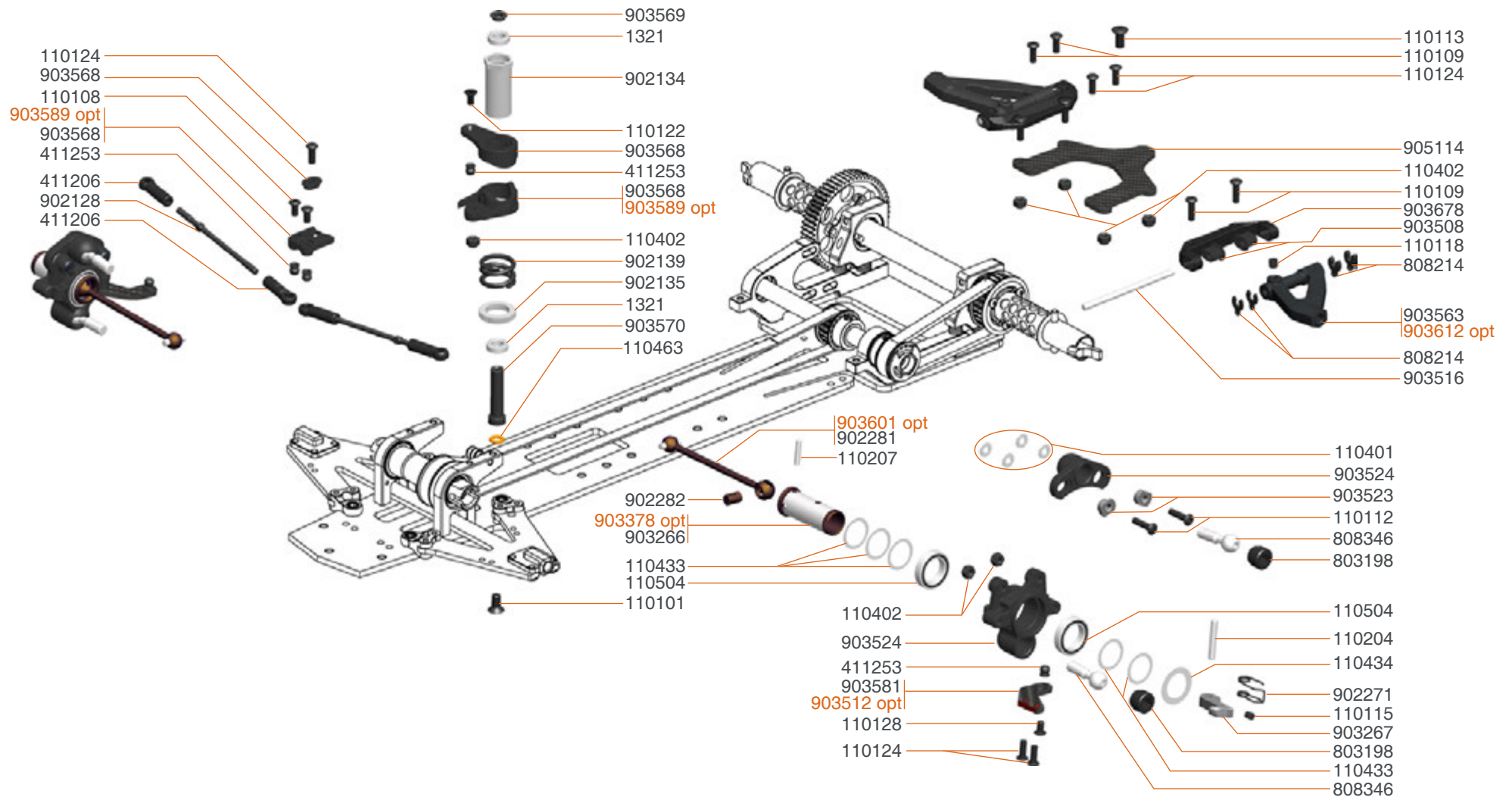


## STEP 29

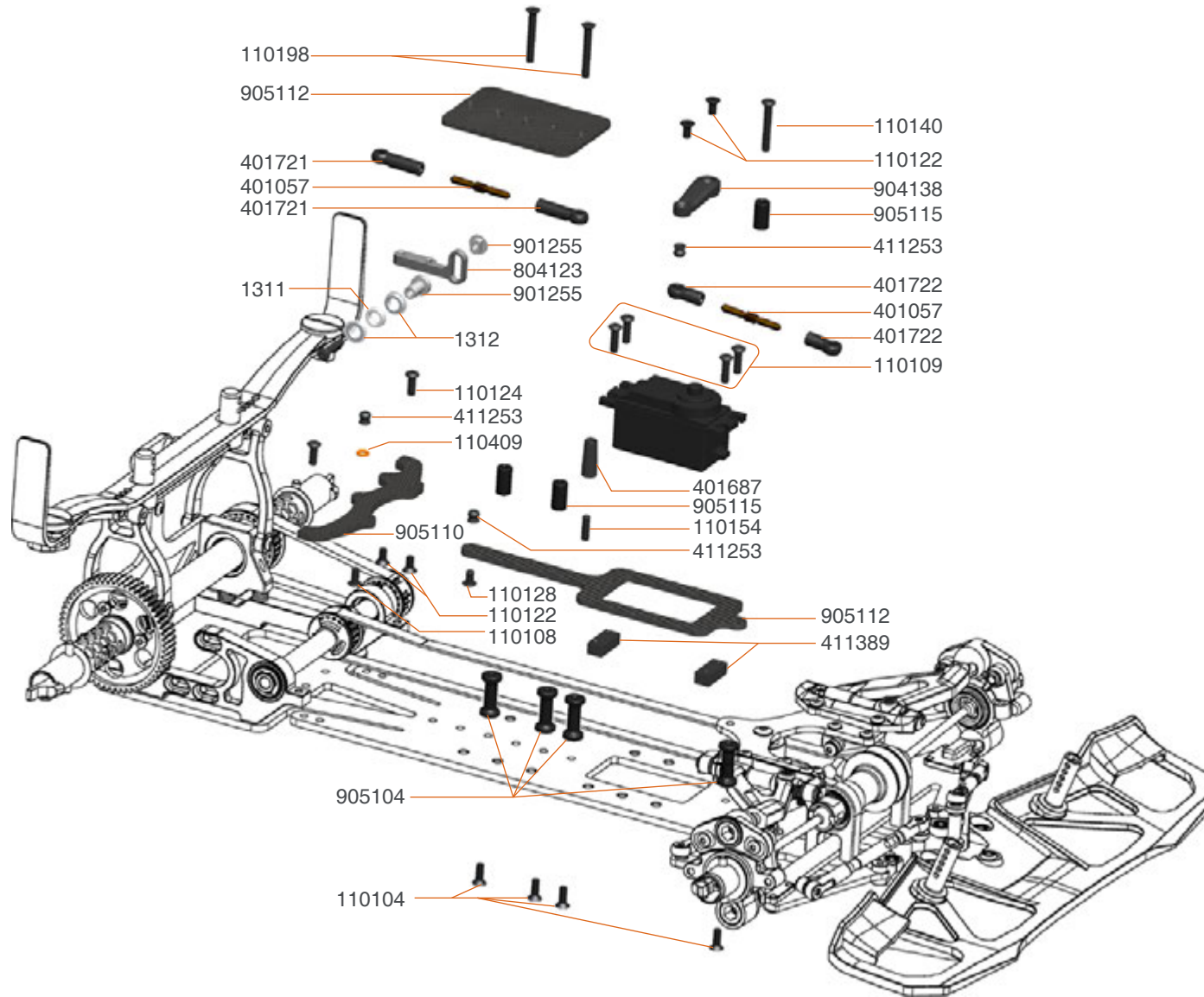


Wheels and tyres are  
NOT included

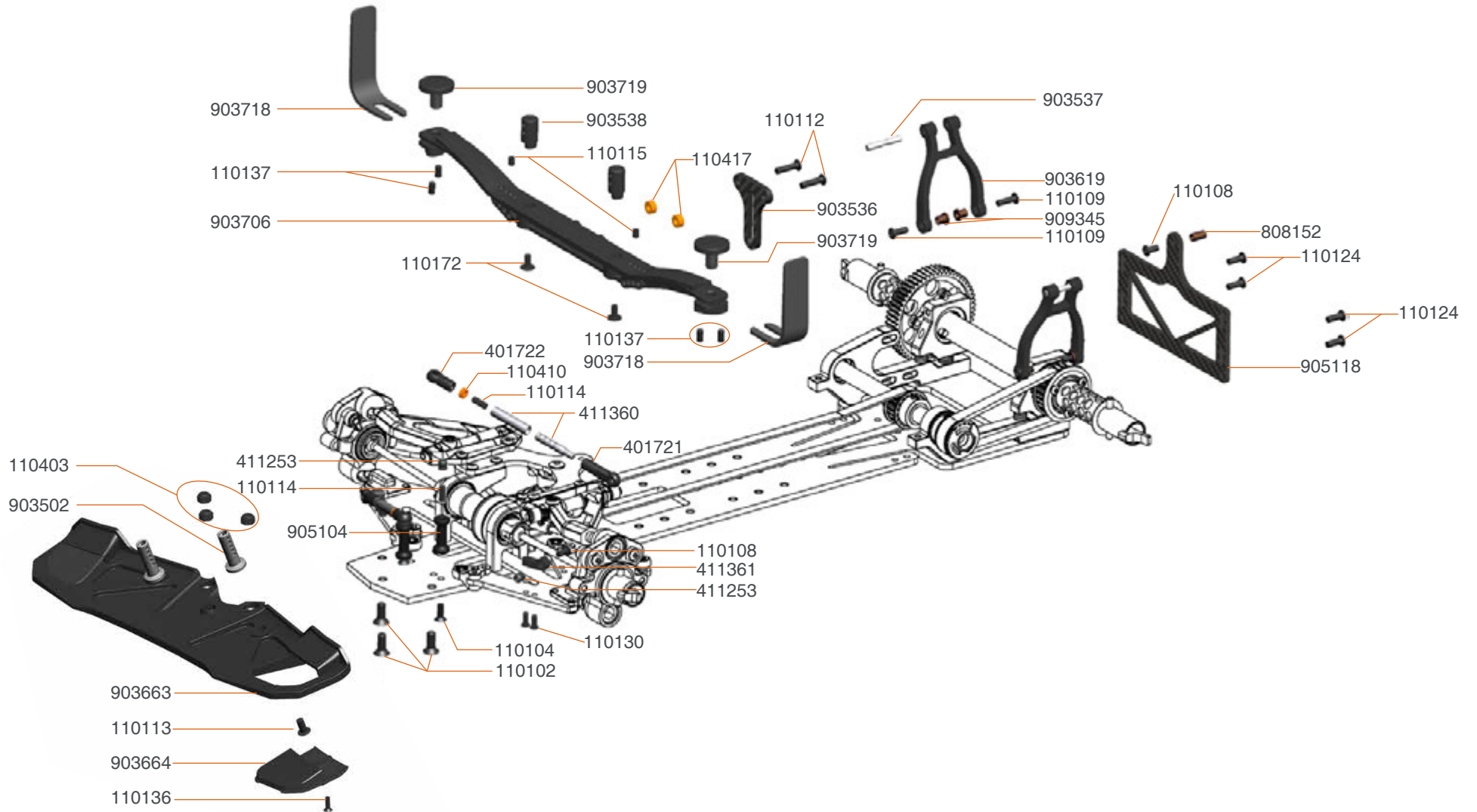


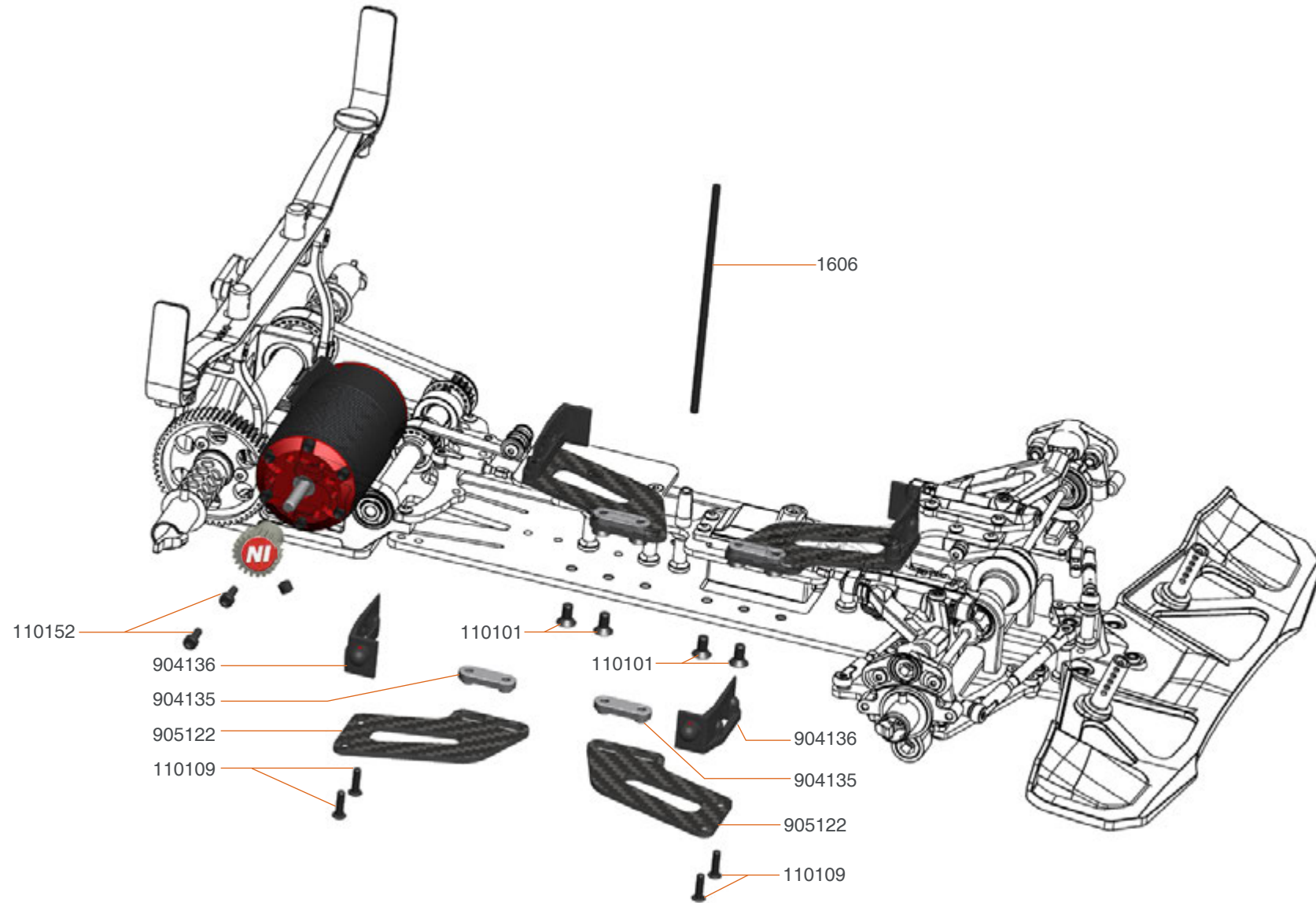


- 903512 Steeringblock lever alu (2)
- 903378 Wheelaxle front OS2 alu (2)
- 903589 Servosaver bottom alu (2)
- 903601 Driveshaft cvd FR alu (2)
- 903612 Wishbone FR up (2) hard





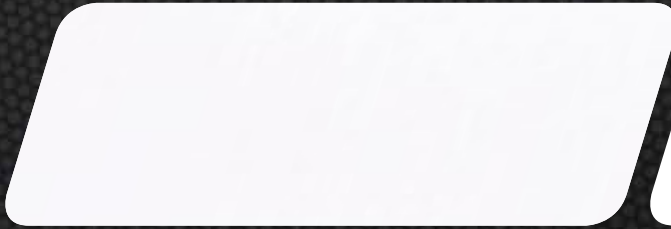




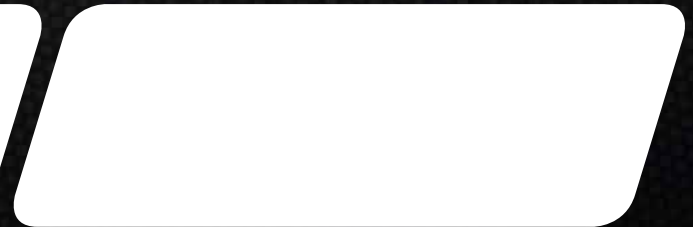
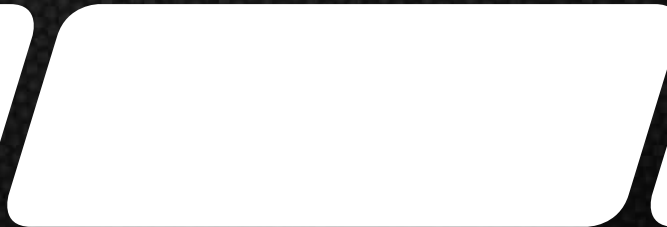
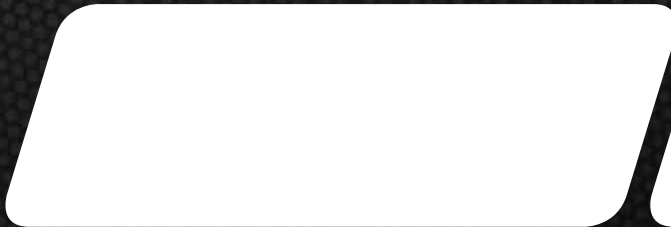


# TEAM SERPENT NETWORK

SPARE PARTS [www.serpent.com/905001/spares/](http://www.serpent.com/905001/spares/)



OPTIONALS PARTS [www.serpent.com/905001/Optionals/](http://www.serpent.com/905001/Optionals/)



SERPENT TOOLS [www.serpent.com/product/Tools/](http://www.serpent.com/product/Tools/)



SERPENT MERCHANDISING [www.serpent.com/product/Merchandising/](http://www.serpent.com/product/Merchandising/)





## SERPENT WEBSITE AND BLOG

www .serpent.com  
www .teamserpent.com  
www .dragon-rc.com

SERPENT PROMO PAGES <http://promo.ser>

SERPENT FACEBOOK GROUPS <http://promo.serpent.com/indexfb.htm>

SERPENT ADVANCED MANUALS [http:// promo.serpent.com/sam/](http://promo.serpent.com/sam/)

## SERPENT SOCIAL MEDIA

 www .facebook.com/SerpentMRC

 www .youtube.com/user/SerpentMRC

 www .twitter .com/SerpentMRC

 www .plus.google.com/+SerpentModelcars/posts

 www .weibo.com/teamserpent

**INSTRUCTION MANUAL**

# **9888 TARPANE**



Manual Viper 988e Pan Car #966281

**SERPENT**